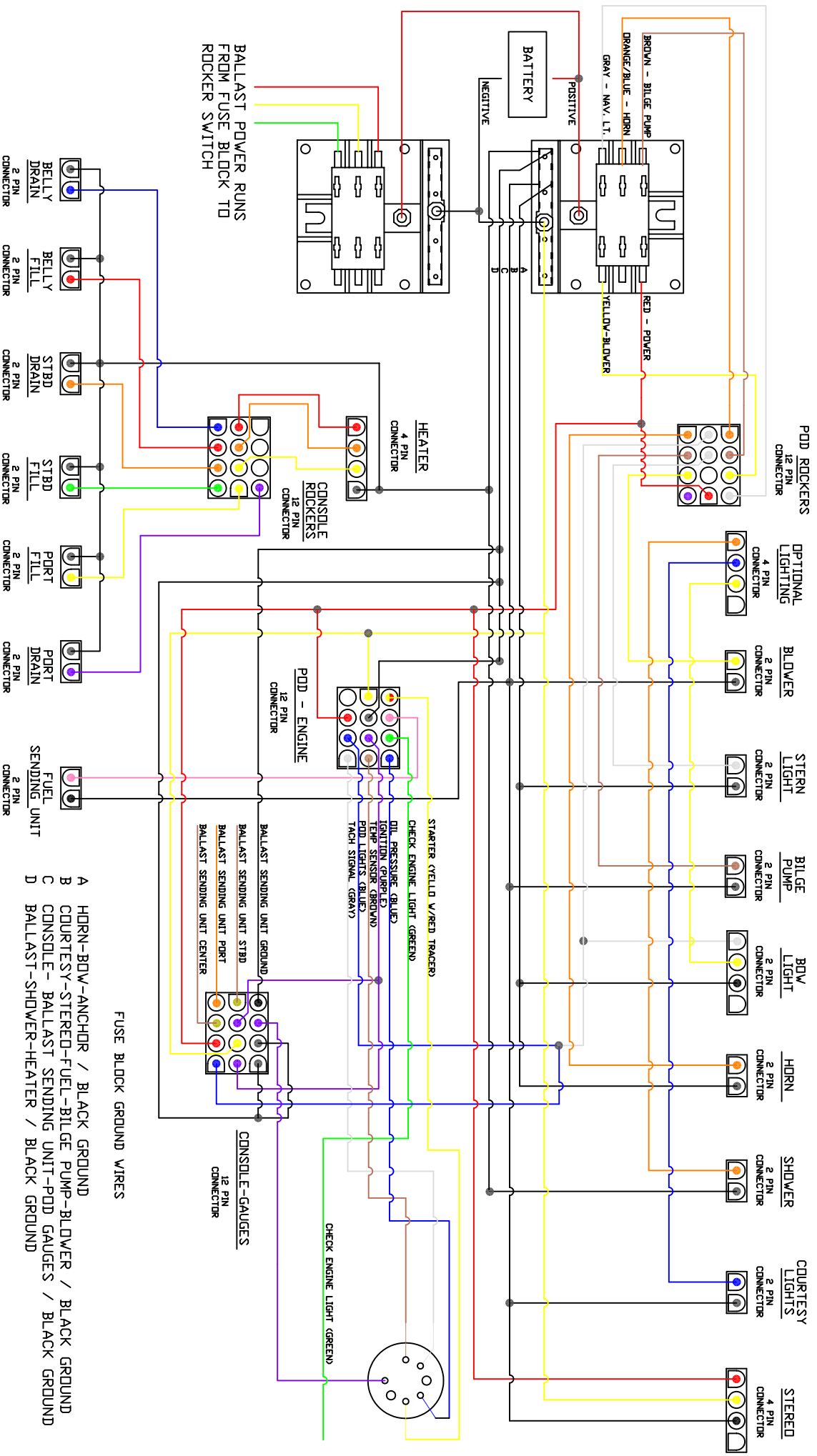


2003/2004 SE MAIN HARNESS



- A HORN-BOW-ANCHOR / BLACK GROUND
- B COURTESY-STEREO-FUEL-BILGE PUMP-BLOWER / BLACK GROUND
- C CONSOLE-BALLAST SENDING UNIT-PDD GAUGES / BLACK GROUND
- D BALLAST-SHOWER-HEATER / BLACK GROUND