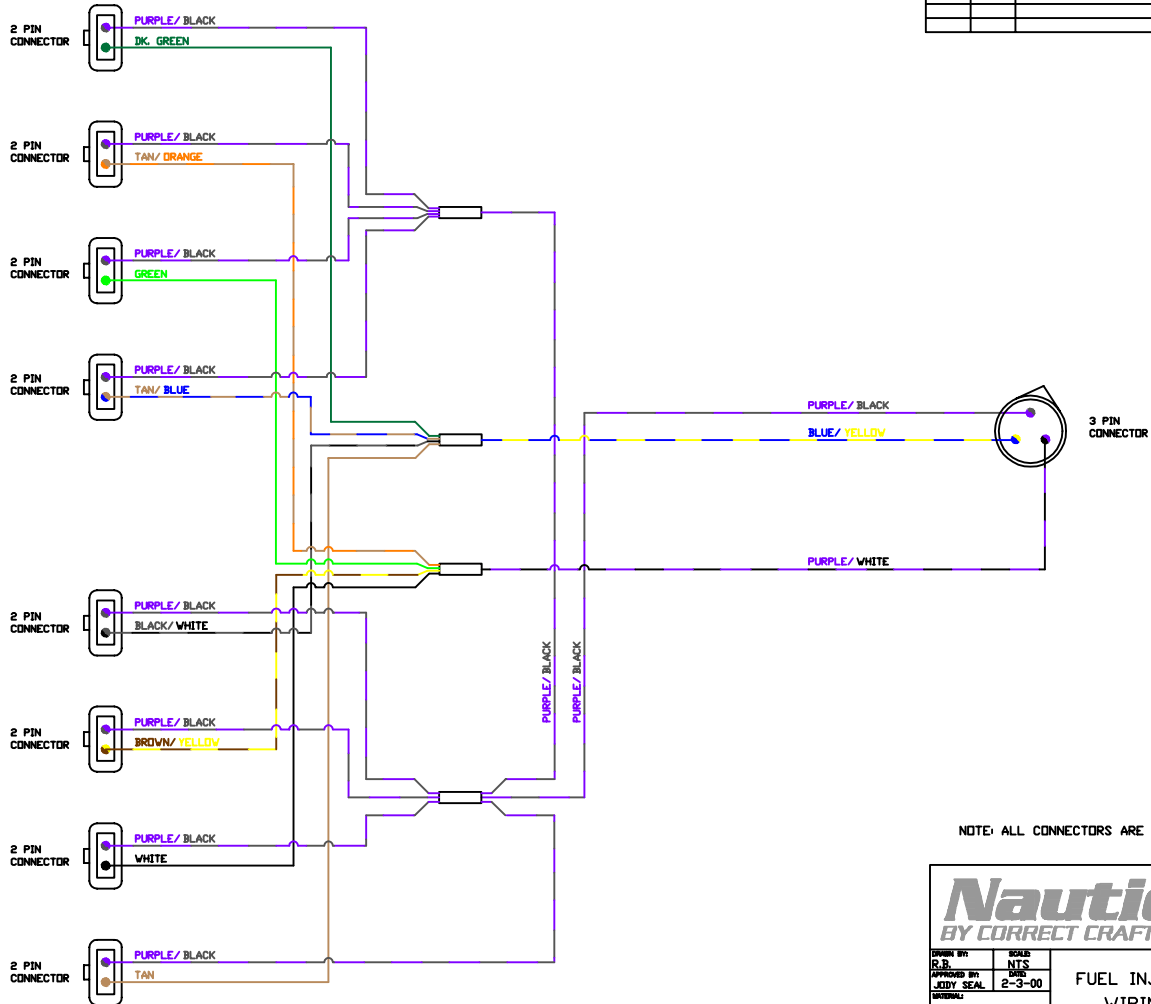


REV.	DATE	DESCRIPTION



NOTE: ALL CONNECTORS ARE VIEWED FROM FRONT.

Nautiques
BY CORRECT CRAFT SINCE 1925

DRAWN BY: R.D.	SCALE: NITS
APPROVED BY: JEDDY SEAL	DATE: 2-3-00
REVISIONS:	
PART NUMBER:	

FUEL INJECTOR HARNESS
WIRING DIAGRAM