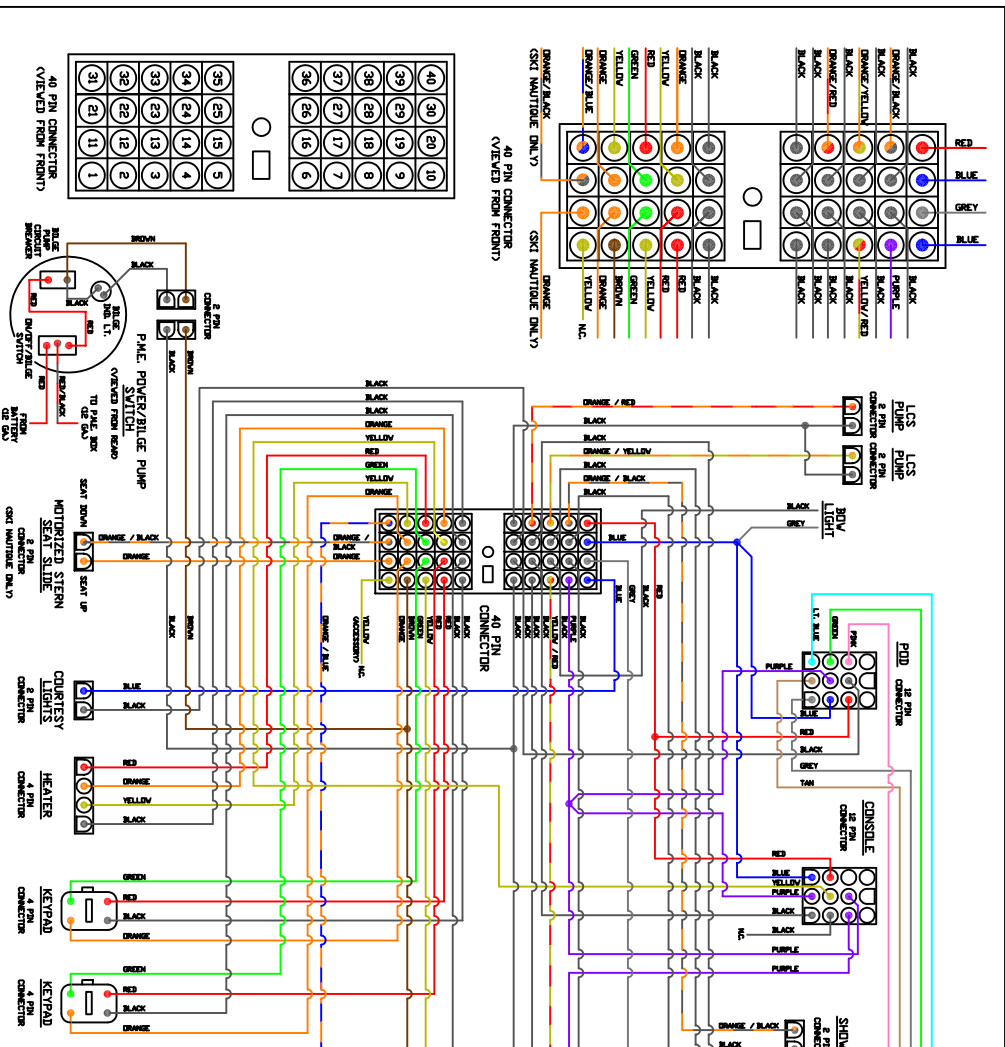


REV.	DATE	DESCRIPTION
1	9-17-00	CHANGED COUNTRY LIGHT WIRE FROM RED TO BLUE
2	9-25-00	ADDED DRAWING NUMBER
3	9-25-00	ADDED POWER SWITCH AND CIRCUIT



NAVIGUES
BY CORRECT CRAFT SINCE 1925

REV. 3
AM00101

HARNESS WIRING DIAGRAM
2001 MODELS

REV.	DATE	DESCRIPTION
1	9-17-00	CHANGED COUNTRY LIGHT WIRE FROM RED TO BLUE
2	9-25-00	ADDED DRAWING NUMBER
3	9-25-00	ADDED POWER SWITCH AND CIRCUIT

NOTE: Wires that have two colors are as follows:
The first color listed is the wire color.
The second color listed is the stripe color.
NOTE: ALL CONNECTORS ARE VIEWED FROM FRONT.