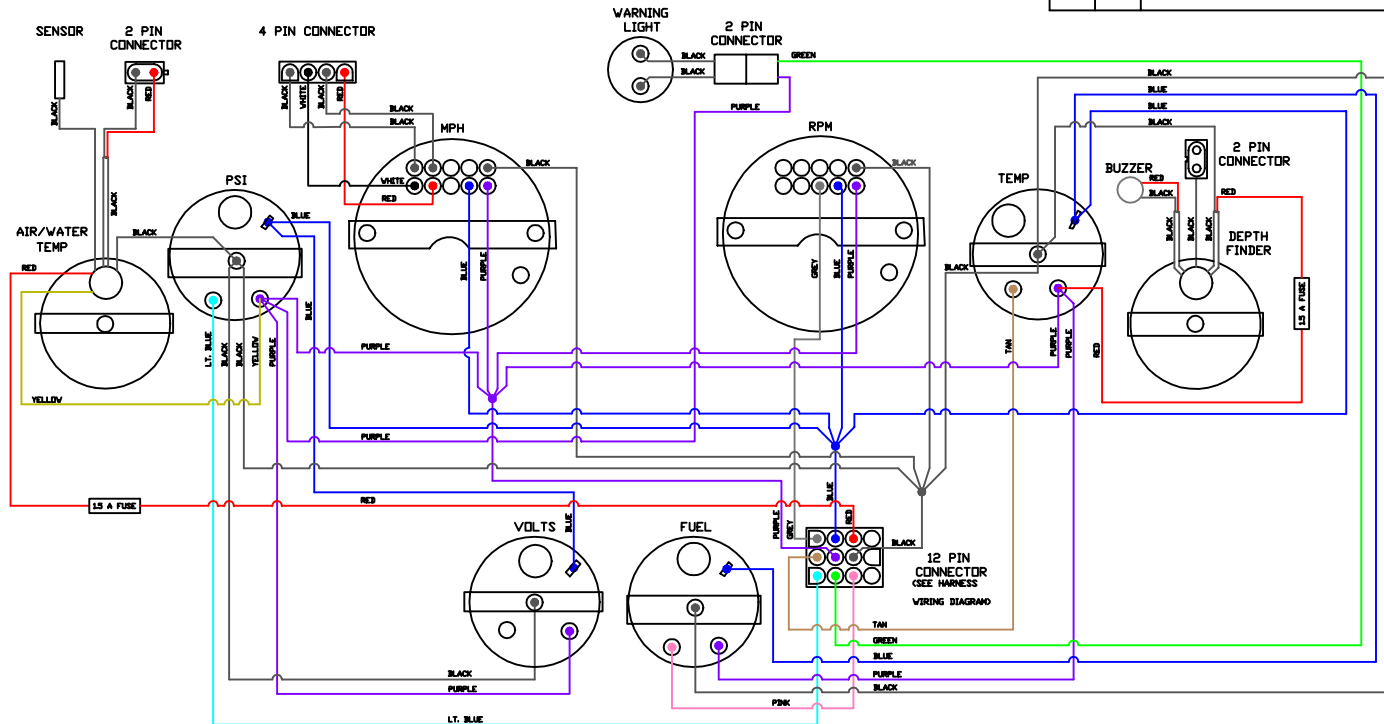
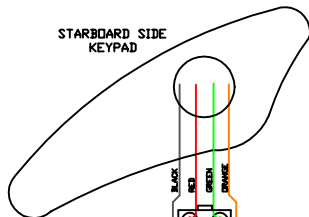


POD WIRING VIEWED FROM BACK SIDE

REV.	DATE	DESCRIPTION
1	8-17-00	CHANGED BROWN WIRE ON TEMP. GAUGE TO TAN & CHANGED BLUE WIRE ON PRESSURE GAUGE TO LIGHT BLUE.



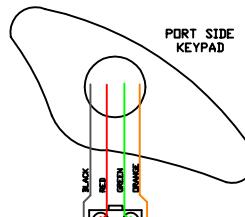
STARBOARD SIDE  
KEYPAD



POD WIRING VIEWED FROM BACK SIDE

4 PIN  
CONNECTOR  
(SEE HARNESS WIRING DIAGRAM)

PORT SIDE  
KEYPAD



4 PIN  
CONNECTOR  
(SEE HARNESS WIRING DIAGRAM)

NOTE: ALL CONNECTORS ARE VIEWED FROM FRONT.

REV. 1

**Nautiques**  
BY CORRECT CRAFT SINCE 1925

DRAWN BY	SCALE
R.B.	NTS
APPROVED BY	DATE
	8-8-00
SERIAL:	
PART NUMBER:	

POD WIRING DIAGRAM  
2001 ALL MODELS  
(WITH OPTIONS)